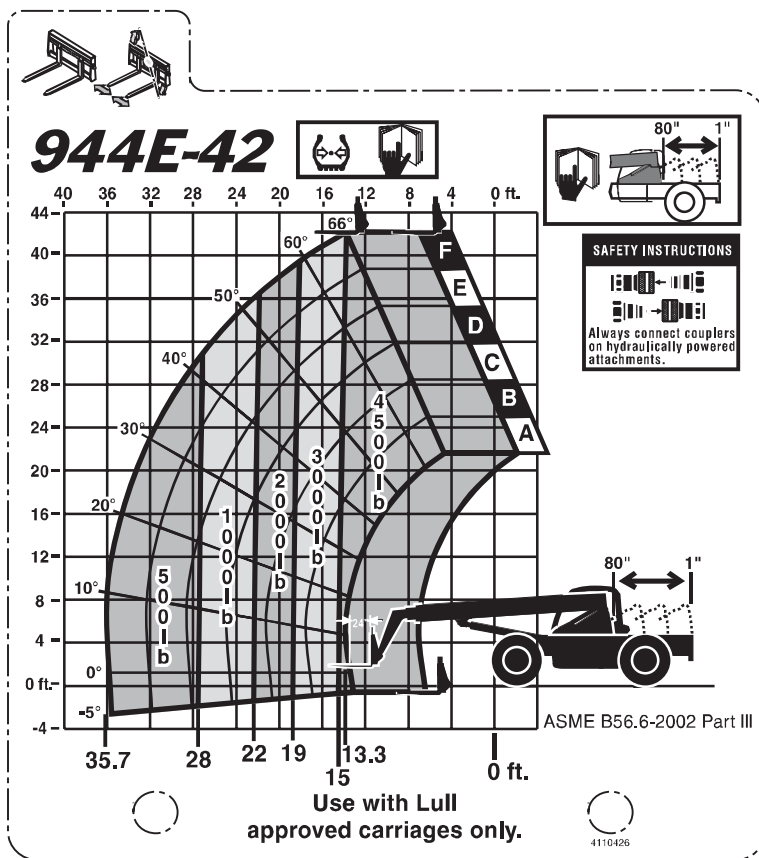


**This Section Contains
Representations Of All The
Load Charts Contained In
The Operators Cab Of This
Vehicle**

Load Charts

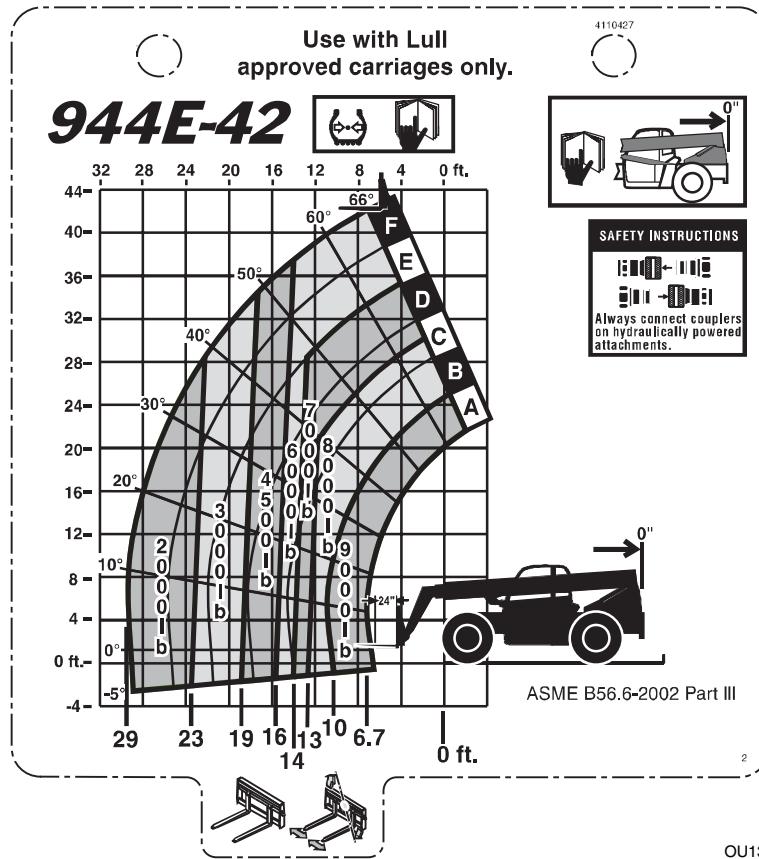
Standard Carriages, Side Tilt Carriages, Single Fork Positioning Carriages and Dual Fork Positioning Carriages (Transfer Carriage Forward Movement)



OU1362

Load Charts

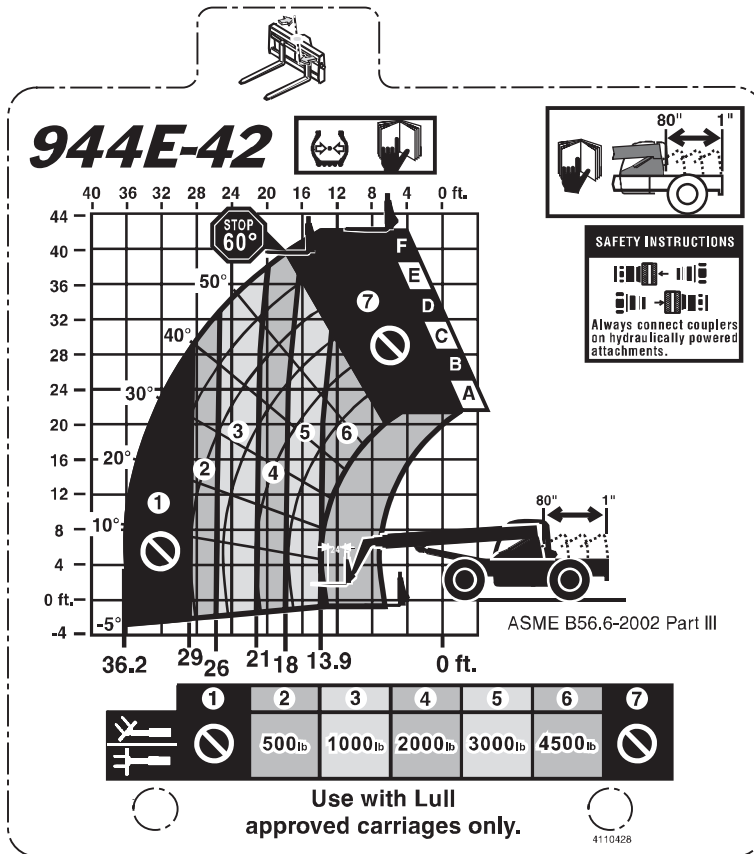
Standard Carriages, Side Tilt Carriages, Single Fork Positioning Carriages and Dual Fork Positioning Carriages (Transfer Carriage Fully Retracted)



OU1372

Load Charts

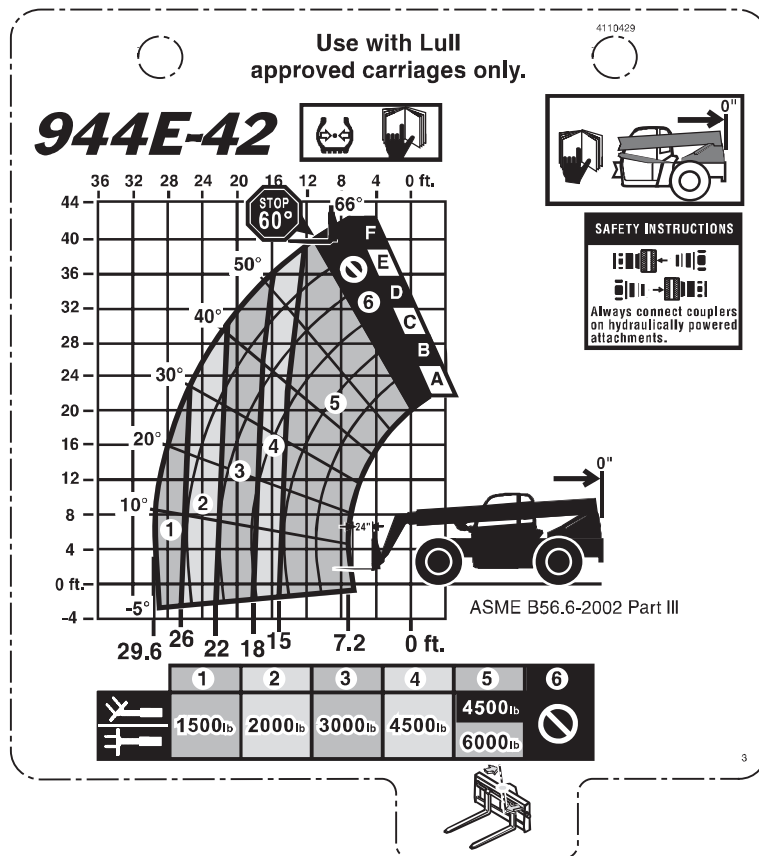
Swing Carriage (Transfer Carriage Forward Movement)



OU1381

Load Charts

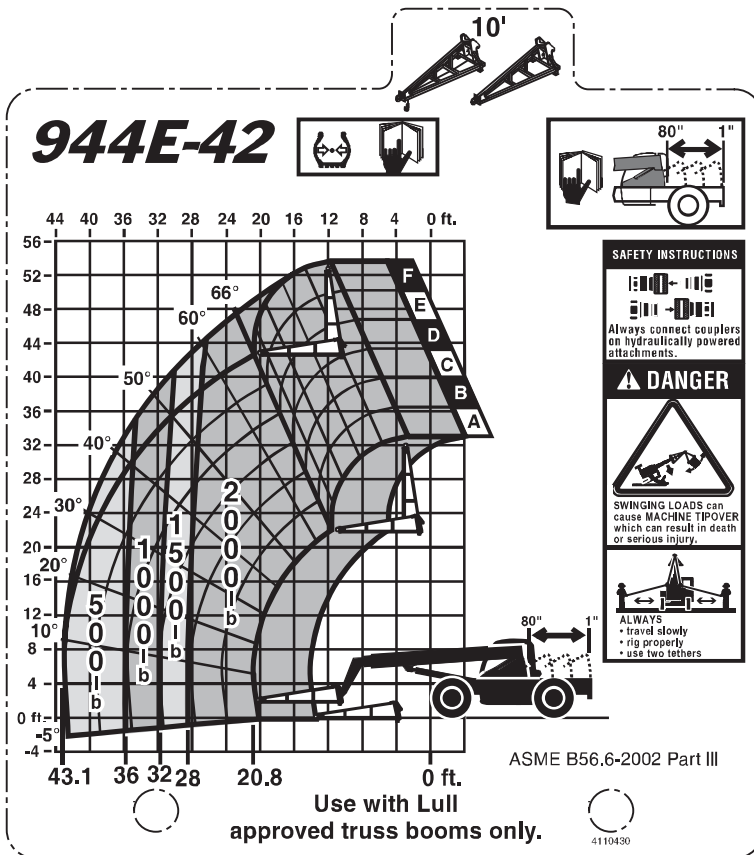
Swing Carriage (Transfer Carriage Fully Retracted)



OU1391

Load Charts

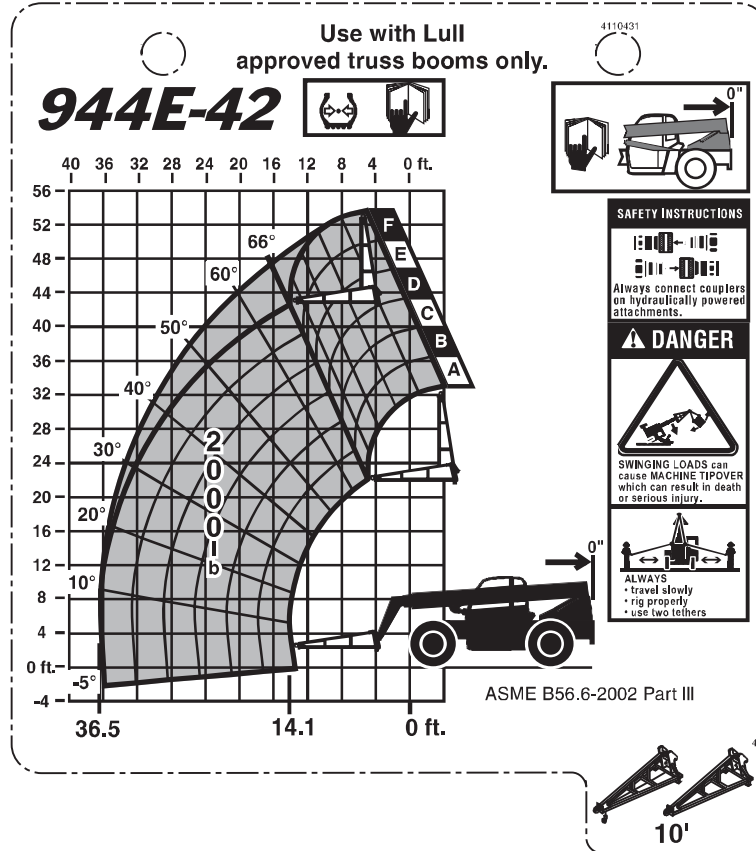
10 Ft. Truss Boom & 10 Ft. Truss Boom w/Winch (Transfer Carriage Forward Movement)



OU1401

Load Charts

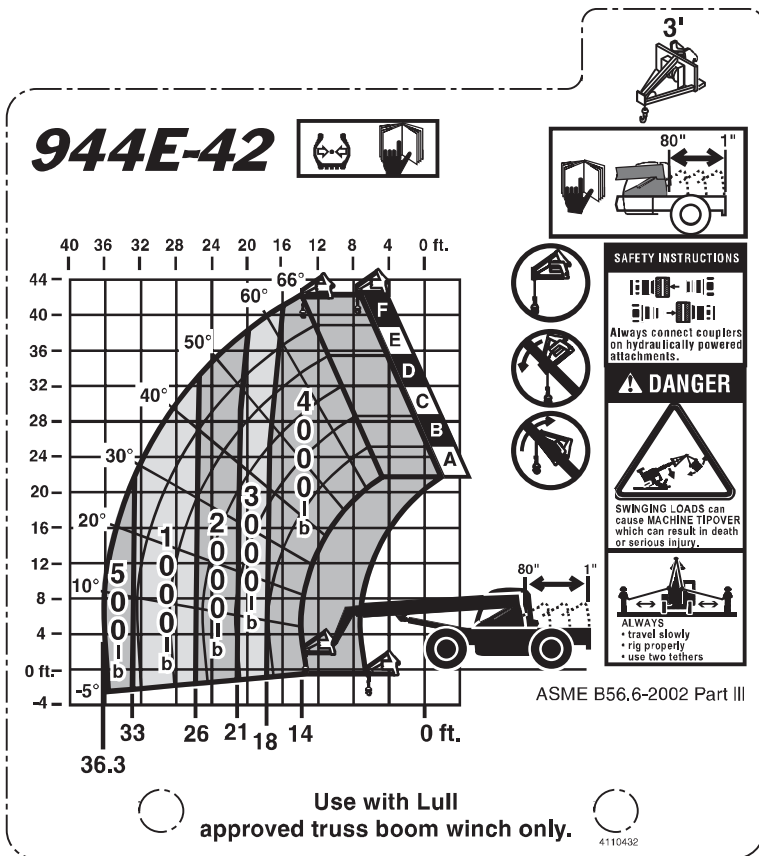
10 Ft. Truss Boom & 10 Ft. Truss Boom w/Winch (Transfer Carriage Fully Retracted)



OU1411

Load Charts

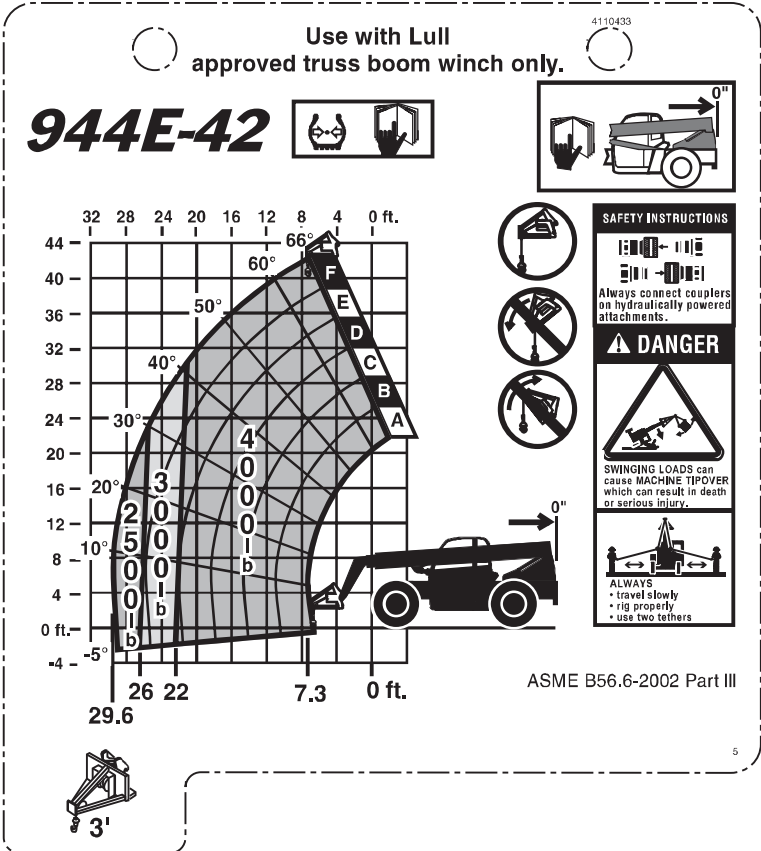
3 Ft. Truss Boom w/Winch (Transfer Carriage Forward Movement)



OU1421

Load Charts

3 Ft. Truss Boom w/Winch (Transfer Carriage Fully Retracted)



OU1431

Load Charts

This Page Intentionally Left Blank